

ACCESSORY

4G/LTE Antenna Kit

CLT02

4G/LTE ANTENNA KIT FOR EDGE-PC SPCEL12

The following components are required to expand the Shuttle Edge-PC SPCEL12 with a mobile 4G/LTE network function:

- this antenna kit (CLT02)
- a 4G/LTE card
- a nano SIM card

Please note that you can not install a WLAN function at the same time. After the installation of the 4G/LTE card, the M.2 SATA SSD card is limited to the M.2-2242 format (length: 42 mm).



CONTENTS OF CLT02

- Two 4G dipole omnidirectional antenna, SMA male
- Two antenna cable 10cm from I-PEX MHF 4 to SMA Pigtail female
- toothed lock washer and screw for SMA connectors
- Quick installation guide

COMPATIBILITY AND IMPORTANT NOTES

- CLT02 is compatible with the Shuttle Edge-PC SPCEL12
- After the installation of a 4G/LTE card the M.2-SATA SSD card is limited to M.2-2242 format (with 42 mm length).
- WLAN (WLN-M3) and 4G/LTE (LCT02) cannot be used at the same time.

OTHER REQUIRED COMPONENTS

- SIM card in Nano format (to be inserted into the SIM slot on the back of the Shuttle Edge-PC SPCEL12)
- a 4G/LTE 5G mobile network card in M.2-3042 Key B form factor, for example:
 - Sierra EM7455 (4G, CAT 6, for Europa and North America)
 - Sierra EM7430 (4G, CAT 6, for APAC)
 - Huawei ME906S (4G, CAT 4, for EMEA, Australia, New Zealand)
 - Quectel EM06-E (4G, CAT 6, for EMEA, Australia, Brazil)



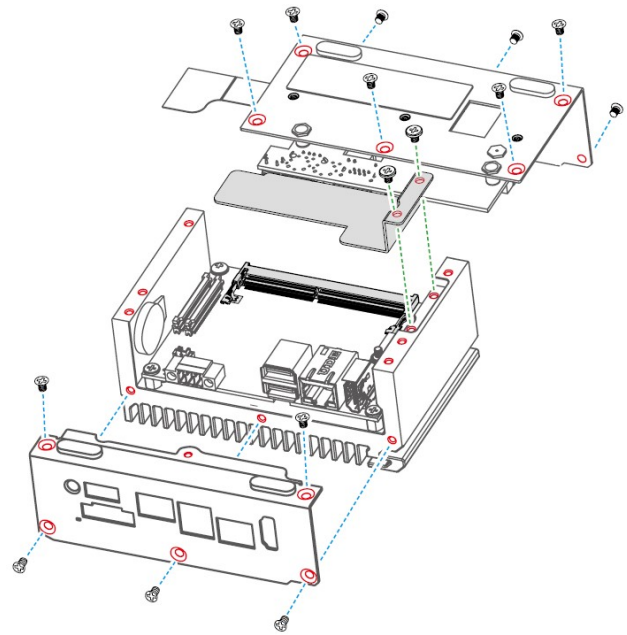
Photo: Shuttle Edge-PC SPCEL12 with Antenna kit CLT02 installed

Quick Installation Guide

Please install with reference to the following Steps.

Due to safety reasons, please turn off your computer completely first and unplug it from the power supply.

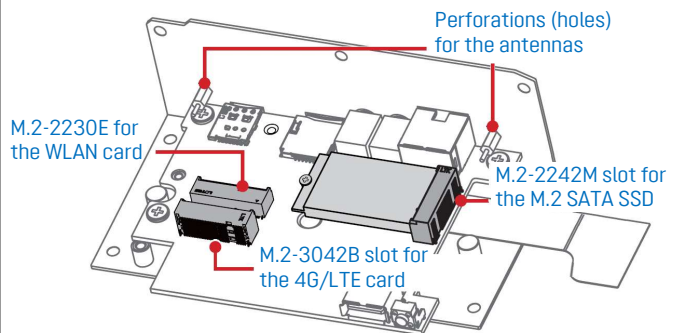
1. Open the housing of the Edge PC according to the enclosed quick guide.



2. There are two perforations for the antenna connectors on the back panel of the housing.

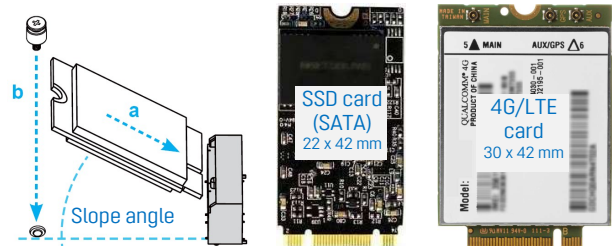
These M.2 slots are located on the mainboard:

- **M.2-2230E Slot:** for the WLAN card (cannot be used at the same time as the 4G/LTE card)
- **M.2-3042B Slot:** for the 4G/LTE card
- **M.2-2242M Slot:** for the SSD card with SATA interface (Note: PCIe/NVMe is not supported)



3. Install the respective M.2 cards (SSD and 4G/LTE) into the corresponding M.2 slots and secure with the screw.

Note: If a 4G/LTE-module is installed in the Edge-PC SPCEL12, then the M.2 SATA SSD card is limited to M.2-2242 format with 42 mm length (M.2-2280 with 80 mm length is then no longer supported)



4. Use a 6mm screwdriver to puncture the two perforated holes on the back panel from the outside in. Once the screwdriver passes through the perforation, carefully remove the metal tag.

If the metal tag still does not detach, carefully bend it by pushing down from the inside of the chassis.



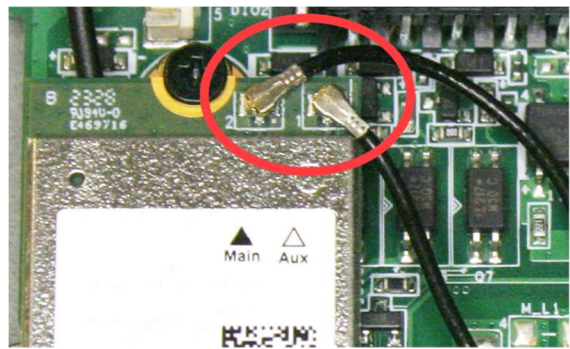
5. Install the antenna connectors from the inside through the appropriate opening at the back of the chassis. Use the lock to affix the antenna connectors from the outside.

When leading the cable connector through the opening, check the socket alignment and only push horizontally. DO NOT turn or twist the cable. Should any difficulties occur, make sure the surface is clean. Finally, check the alignment again and carefully apply more force.



6. There is a tiny plug at the other end of the antenna cable. Connect both antenna cables to the corresponding connectors on the M.2 4G/LTE card (see photo).

Attention: the small MHF IV (I-PEX4) connectors for the antenna cables on the 4G/LTE adapter can easily be damaged. It is recommended to work with a magnifying glass and good lighting.



7. Once all components have been installed, reassemble the housing of the Edge PC according to the enclosed quick guide.



8. Screw the antenna into position as pictured.

