

Mini-PC-Barebone supports AMD Athlon II / Phenom II CPUs and HDMI

Glamor XPC Barebone SN78SH7

The H7-case of the XPC Barebone SN78SH7 combines the best features of many successful Shuttle Mini-PCs - including silent heatpipe cooling, enlarged power supply cooling fan and stylish aluminium design. Modern HDMI / DVI output, DTS Connect and Dolby Digital Live! 7.1 channel sound make full HD home theatre entertainment at 1080p come true. In addition, two separate displays can be connected via HDMI/DVI and D-Sub VGA to improve workflow. The SN78SH7's CPU socket supports a wide range of available AMD Phenom II and Athlon II multi-core processors with exceptional energy efficiency and good value for money. For higher 3D performance, a modern PCI-Express v2.0 graphics card can be fitted. The energy-efficient 80PLUS compliant 300W power supply lets the system run stable under all conditions.



Feature Highlight

H7 chassis	<ul style="list-style-type: none"> Aluminum chassis (black) Bays: 1x 5.25", 2x 3.5"
Chipset	<ul style="list-style-type: none"> Chipset: NVIDIA GeForce 8200 Integrated DirectX10 graphics 256MB shared memory HDMI and VGA Video output
CPU	<ul style="list-style-type: none"> Supports AMD Phenom II and Athlon II processors with Socket AM2/AM3 *) Shuttle I.C.E. Heatpipe-cooling
Slots	<ul style="list-style-type: none"> 1x PCI-Express V2.0 (x16) 1x PCI (32 Bit)
Memory	<ul style="list-style-type: none"> Supports 2x2 GB DDR2-667/800
Drive connectors	<ul style="list-style-type: none"> 2x SATA 2.0 (internal), RAID 2x External Serial-ATA (eSATA, ext.) 1x IDE ATA 100, 1x floppy
Other connectors	<ul style="list-style-type: none"> 8-channel HD audio Dolby Digital Live! und DTS Connect USB 2.0 (2x front, 4x rear, 4x onb.) 2x Firewire, GigaBit LAN
Power supply	<ul style="list-style-type: none"> 300 Watt SilentX PSU, 80Plus
Application	<ul style="list-style-type: none"> Home

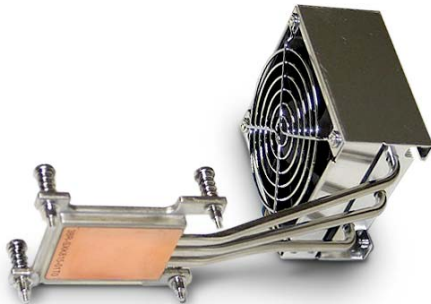
*) Please refer the support list for detailed processor support information.

Product ID: SN78SH7
UPC (see bar code)



Images for illustration purposes only.

Shuttle XPC Barebone SN78SH7 – Special Product Features



The Shuttle XPC Glamor series is the keyword in artistic design from Shuttle.

There are different chassis designs to choose from. No matter whether it's for use in the home or the office, for high adrenaline or laid back users, there is a Shuttle XPC in the Glamor series to suit every taste. The front panel and cover of the H7 chassis is completely made of aluminum. This leads to a stylish appearance and makes it to a popular design for many users.

SN78SH7 supports AMD Phenom II Processors *)

Realize new possibilities for connecting with friends, family, and digital entertainment with the phenomenal performance of the AMD Phenom and Phenom II series quad-core processor. Built from the ground up for true quad-core performance, AMD Phenom processors speed through advanced multitasking, critical business productivity, advanced visual design and modeling, serious gaming, and visually stunning digital media and entertainment.

Integrated Cooling Engine (I.C.E.)

Shuttle's XPCs offer the power of a desktop PC in a form factor one-third the size. In order to ensure proper airflow inside a smaller unit, more advanced cooling technologies have been developed and implemented in the Shuttle XPC. Shuttle's industry-leading I.C.E. heatpipe technology delivers efficient cooling and is exceptionally quiet.

NVIDIA GeForce 8200 Graphics Engine

The NVIDIA GeForce 8200 GPU brings new graphics technologies to everyone. Enjoy Windows Vista and today's popular games with DirectX 10. Experience astounding Blu-ray and HD-DVD movie picture quality (supported formats include H.264, VC1 and MPEG2) with PureVideo HD technology. Enjoy enhanced system performance, reduced power consumption and quieter operation with minimal CPU utilization.

Dual View Technology with HDMI and VGA

Dual View technology offers multiple display support on up to two separate monitors. This improves the capabilities and productivity of the user by allowing them to spread multiple windows over two monitors and view them simultaneously. The integrated Intel graphics processor delivers best-in-class 3D performance and leading graphics compatibility to play top games the way they are meant to be played.

PCI-Express V2.0 for high-performance graphics cards

The Shuttle XPC Barebone SN78SH7 is equipped with one PCI-Express x16 Version 2.0 slot delivering a bandwidth of up to 16GB/s, twice the speed of PCI-E 1.0, thus providing plenty of potential for the newest graphics cards. It is downward compatible, allowing use for most of the present graphics cards as well.



300W



Finest cinematic surround sound experience

What would a home theater be without booming, immersive 7.1 channel surround sound? Experience state-of-the-art sound quality provided by Dolby® Digital Live and DTS® Connect functionality.

80 PLUS® Certified Power Supplies

The 80 PLUS® performance specification requires power supplies in computers and servers to be 80% or greater energy-efficient. The Shuttle XPC Barebone SN78SH7 features a powerful 300W power supply with 80 PLUS® validation as standard.

Supports 2x SATA + 2x eSATA with RAID

Two SATA hard disks can be installed in the Shuttle XPC Barebone SN78SH7. In addition, two further hard disks can be connected to the PC using its eSATA ports for three times faster speeds as known from the USB 2.0 standard. The mainboard chipset also supports RAID that is a method of combining multiple hard disks in a single logical unit to offer higher performance (Raid 0 = Striping) or higher security (Raid 1 = Mirroring) or a combination of both.

New Era of All-Solid Capacitor Shuttle Mainboards

By using all-solid capacitors Shuttle mainboards provide industry leading stability, reliability and longevity for PC gaming and entertainment systems. The average lifespan for a solid capacitor is more than six times greater than the more common and less expensive electrolytic capacitors.

Color slots design

Easily recognize color codes provides an easier way to install the devices such as Power switch, USB, PCI-E, PCI, DDR2.

Supports Windows Vista Premium

Breathtaking Windows Aero™ 3D visual interface and a host of groundbreaking new features, Windows® Vista™ Premium promises to deliver a streamlined computing experience designed to fundamentally change how users view, find and organize their digital information.

Shuttle XPC Accessory

Shuttle offers a wide variety of accessories for XPC barebones and complete systems such as WLAN modules or expansion kits. The XPC carrying bag is also a popular accessory - it is the ideal solution for LAN party gamers and business people, who need to transport their XPC.

*) Please refer the support list for detailed processor support information.

Shuttle XPC Barebone SN78SH7 Specifications

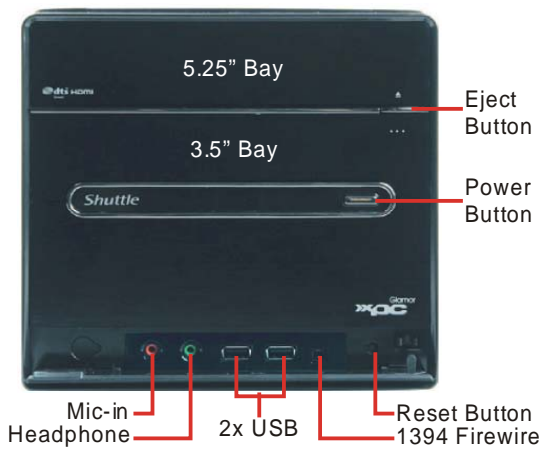
Chassis	<p>H7-type aluminum chassis, black color Hidden front panel connectors and drive bays. Storage bays: 1 x 5.25", 2 x 3.5" (1 internal) Dimensions: 32.5 x 20.8 x 18.9 cm (LWH), Weight: 3.6 kg net / 5.0 kg gross</p>
Mainboard	<p>Shuttle FN78S , Shuttle form factor, Proprietary mainboard design for Shuttle XPC Barebone SN78SH7 Chipset: NVIDIA GeForce 8200 (Codename: MCP 78S) Solid Capacitors for excellent heat resistance for enhanced system durability Color slots/connectors design (Power switch, USB, PCIe, PCI) Dimensions: 25.4 x 18.5 cm</p>
Power Supply	<p>SilentX 300 Watt mini power supply unit Input voltage range: 100~240V Connectors: 20-pin ATX, 4-pin ATX12V Dimensions: 190 (L) x 82 (W) x 43 (H) mm 80 PLUS® certified (80% or greater energy-efficient) EMI certified: FCC, CE, CCC Safety certified: TÜV, UL, CB, CCC, CSA, NEMKO Active PFC (Power Factor Correction)</p>
Processor Support	<p>Supports AMD Processors with AM2/AM2+/AM3 socket: AMD Phenom II, Athlon II, Phenom, Athlon 64 X2, Athlon 64, Sempron processors 3 GHz HyperTransport v3.0 Technology x16 Up/Down links *) Please refer to the support list for detailed processor support information.</p>
Processor Cooling	<p>Shuttle I.C.E. (Integrated Cooling Engine) advanced I.C.E. Heatpipe technology, linear controlled 92mm fan SilentX cooling and noise reduction technology with Active Airflow</p>
Memory Support	<p>2 x 240 pin slots, supports Dual Channel Supports DDR2-533/667/800 SDRAM unbuffered memory up to a total size of 4 GB, max. 2 GB per DIMM</p>
Expansion Slots	<p>1x PCI-Express (x16) Version 2.0 supports 2x8 GB/s data transfer 1x PCI (32 bit)</p>
Integrated Graphics	<p>Integrated graphics engine NVIDIA GeForce 8200 Supports NVIDIA PureVideo HD technology, Geforce Boost and HybridPower Supports Blu-ray and HD-DVD movies (supported formats include H.264, VC1 and MPEG2), DirectX 10 support Shared/Dynamic graphics memory: max. 256MB Video outputs: HDMI Version 1.2 (digital) and D-Sub (analog) Supports dual monitor operation via HDMI/DVI and VGA output</p>

<p><i>8-channel Audio with DD/DTS</i></p>	<p>7.1 channel High Definition Audio, Realtek ALC888DD codec Supports Dolby® Digital Live! and DTS™ Connect (Digital Theater Systems) 103 dB SNR quality, playback sampling rates up to 96kHz Analog: line-out (8-ch), line-in, microphone Digital: optical S/PDIF output</p>
<p><i>Gigabit-LAN Controller</i></p>	<p>Marvell 88E1116 Ethernet network controller (Gigabit PNY) PCI-Express x1 interface Supports 100 / 1.000 MBit/s operation Supports Wake-on-LAN</p>
<p><i>Firewire-Controller</i></p>	<p>Firewire controller TI TSB43AB22A IEEE1394a OHCI V1.0 compliant With 2 Firewire connectors (front and rear) Supports 400Mb/s, 200Mb/s, 100Mb/s data transfer rate</p>
<p><i>Drive connectors</i></p>	<p>2x Serial-ATA II, 3 Gbit/s (300 MB/s) bandwidth Supports Raid 0, 1, 0+1, 5 and JOBD 2x external Serial ATA (eSATA) 1 x IDE UltraDMA 100 drives 1 x floppy disk drive</p>
<p><i>Front panel connectors</i></p>	<p>Microphone Headphone (Line-out) 2x USB 2.0 Firewire (Mini 4 pin connector) Reset button Power button</p>
<p><i>Back panel connectors</i></p>	<p>HDMI v1.2 (DVI adapter included) Sub-D VGA 4x USB 2.0 2x External Serial ATA (eSATA) GigaBit LAN (RJ45) IEEE1394 Firewire (6 pin) 8-ch Audio line-out (2x rear/front, bass/center, surround/back) Optical S/PDIF output (optional input) Audio Line-in CMOS button Optionale Wireless LAN antenna (PN18G, PN20) Optional parallel port (PC8) Optional PS/2 ports (PS10)</p>
<p><i>Other connectors</i></p>	<p>2x fan connectors (4 pin and 3 pin) 4x USB 2.0 (two 2x5 pins) Header for optional PS/2 adapter (provides PS/2 keyboard and mouse ports) Audio Line-in (AUX) S/PDIF input/output header CIR header (Consumer Infrared Port) Parallel port header for optional printer port</p>

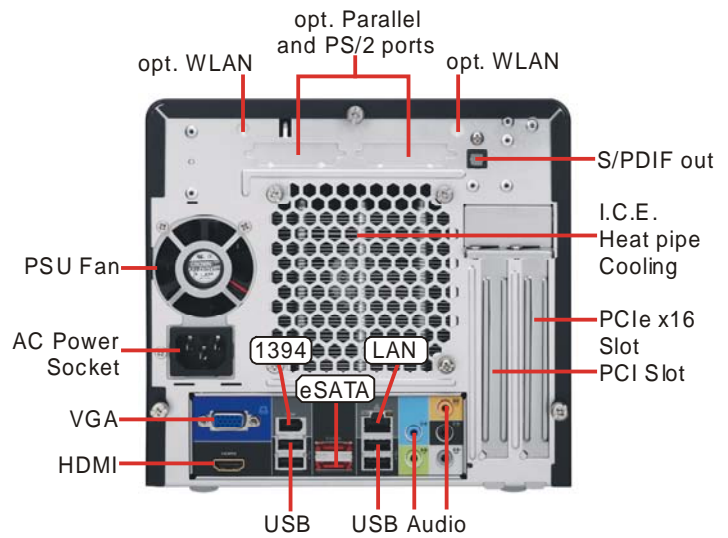
Accessories

Multi-language XPC installation guide
 Driver CDROM for Windows XP/Vista (32/64 bit) recognition
 HDMI to DVI converter
 Cable for FDD (1x)
 Preinstalled: cable for SATA (1x), PATA (1x)
 Power cord,
 Screws, Heatsink Compound

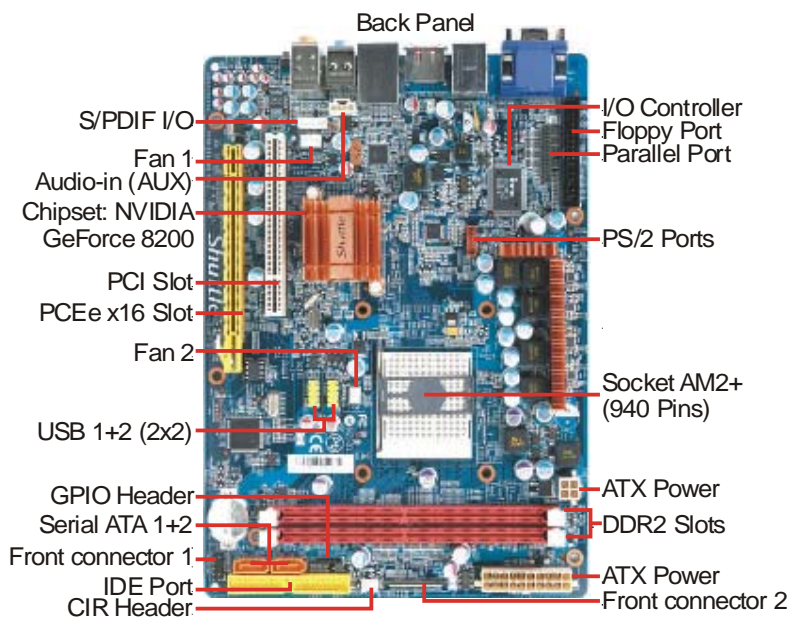
Front View



Rear View



Mainboard



Supported Processor (Date Feb 2010)	BIOS Version
AMD Phenom II X2 545 45nm 80W	SN78S10U
AMD Phenom II X2 550 45nm 80W	SN78S10U
AMD Phenom II X3 700e 45nm 65W	SN78S10K
AMD Phenom II X3 705e 45nm 65W	SN78S10Y
AMD Phenom II X3 710 45nm 95W	SN78S10P
AMD Phenom II X3 720 45nm 95W	SN78S10P
AMD Phenom II X3 740 45nm 95W	SN78S10Y
AMD Phenom II X4 805 45nm 95W	SN78S10P
AMD Phenom II X4 810 45nm 95W	SN78S10P
AMD Phenom II X4 900e 45nm 65W	SN78S10Y
AMD Phenom II X4 905e 45nm 65W	SN78S10K
AMD Phenom II X4 910 45nm 95W	SN78S10P
AMD Phenom II X4 910e 45nm 65W	SN78S10Y
AMD Phenom II X4 920 45nm 125W	SN78S10P
AMD Phenom II X4 940 45nm 125W	SN78S10P
AMD Phenom II X4 945 45nm 125W	SN78S10U
AMD Phenom II X4 945 45nm 95W	SN78S10Y
AMD Phenom II X4 955 45nm 125W	SN78S10U
AMD Phenom II X4 955 45nm C3 125W	SN78S10Y
AMD Phenom II X4 965 45nm C3 125W	SN78S10Y
AMD Phenom 8250 1.9GHz 65W	SN78S10K
AMD Phenom 8450 65nm 95W	SN78S10K
AMD Phenom 8550 65nm 95W	SN78S10K
AMD Phenom 8600 65nm 95W	SN78S10K
AMD Phenom 8650 65nm 95W	SN78S10K
AMD Phenom 8750 65nm 95W	SN78S10K
AMD Phenom 9150e 65nm 65W	SN78S10K
AMD Phenom 9350e 65nm 65W	SN78S10K
AMD Phenom 9450e 65nm 65W	SN78S10K
AMD Phenom 9500 65nm 95W	SN78S10K
AMD Phenom 9600 65nm 95W	SN78S10K
AMD Phenom 9650 65nm 95W	SN78S10K
AMD Phenom 9750 65nm 125W	SN78S10K
AMD Phenom 9750 65nm 95W	SN78S10K
AMD Phenom 9850 65nm 125W	SN78S10K
AMD Athlon II X2 235e 45nm 45W	SN78S10Y
AMD Athlon II X2 240 45nm 65W	SN78S10Y
AMD Athlon II X2 240e 45nm 45W	SN78S10Y
AMD Athlon II X2 245 45nm 65W	SN78S10Y
AMD Athlon II X2 250 45nm 65W	SN78S10Y
AMD Athlon II X3 400e 45nm 45W	SN78S10Y
AMD Athlon II X3 405e 45nm 45W	SN78S10Y
AMD Athlon II X3 425 45nm 95W	SN78S10Y
AMD Athlon II X3 435 45nm 95W	SN78S10Y
AMD Athlon II X4 600e 45nm 45W	SN78S10Y
AMD Athlon II X4 605e 45nm 45W	SN78S10Y
AMD Athlon II X4 620 45nm 95W	SN78S10Y
AMD Athlon II X4 630 45nm 95W	SN78S10Y
AMD Athlon X2 6000+ 65nm 89W	SN78S10K
AMD Athlon X2 7450 65nm 95W	SN78S10K
AMD Athlon X2 7550 65nm 95W	SN78S10K
AMD Athlon X2 7750 65nm 95W	SN78S10K
AMD Athlon X2 7850 65nm 95W	SN78S10K
AMD Athlon 64 X2 4000+ 90nm 62W	SN78S10K
AMD Athlon 64 X2 3600+ 90nm 65W	SN78S10K
AMD Athlon 64 X2 3600+ 65nm 65W	SN78S10K
AMD Athlon 64 X2 3800+ 90nm 65W	SN78S10K
AMD Athlon 64 X2 3800+ 90nm 35W	SN78S10K
AMD Athlon 64 X2 3800+ 90nm 65W	SN78S10K
AMD Athlon 64 X2 3800+ 90nm 89W	SN78S10K
AMD Athlon 64 X2 4000+ 90nm 65W	SN78S10K
AMD Athlon 64 X2 4000+ 90nm 89W	SN78S10K
AMD Athlon 64 X2 4000+ 65nm 65W	SN78S10K

AMD Athlon 64 X2 4050e 65nm 45W	SN78S10K
AMD Athlon 64 X2 4200+ 65nm 65W	SN78S10K
AMD Athlon 64 X2 4200+ 65nm 65W	SN78S10K
AMD Athlon 64 X2 4200+ 90nm 65W	SN78S10K
AMD Athlon 64 X2 4200+ 90nm 89W	SN78S10K
AMD Athlon 64 X2 4400+ 65nm 65W	SN78S10K
AMD Athlon 64 X2 4400+ 90nm 65W	SN78S10K
AMD Athlon 64 X2 4400+ 90nm 89W	SN78S10K
AMD Athlon 64 X2 4450e 65nm 45W	SN78S10K
AMD Athlon 64 X2 4600+ 65nm 65W	SN78S10K
AMD Athlon 64 X2 4600+ 90nm 65W	SN78S10K
AMD Athlon 64 X2 4600+ 90nm 89W	SN78S10K
AMD Athlon 64 X2 4800+ 65nm 65W	SN78S10K
AMD Athlon 64 X2 4800+ 90nm 65W	SN78S10K
AMD Athlon 64 X2 4800+ 90nm 89W	SN78S10K
AMD Athlon 64 X2 4850e 65nm 45W	SN78S10K
AMD Athlon 64 X2 5000+ 65nm 65W	SN78S10K
AMD Athlon 64 X2 5000+ 90nm 65W	SN78S10K
AMD Athlon 64 X2 5000+ 90nm 89W	SN78S10K
AMD Athlon 64 X2 5050e 65nm 45W	SN78S10K
AMD Athlon 64 X2 5200+ 65nm 65W	SN78S10K
AMD Athlon 64 X2 5200+ 65nm 65W	SN78S10K
AMD Athlon 64 X2 5200+ 90nm 65W	SN78S10K
AMD Athlon 64 X2 5200+ 90nm 89W	SN78S10K
AMD Athlon 64 X2 5400+ 90nm 89W	SN78S10K
AMD Athlon 64 X2 5600+ 65nm 89W	SN78S10K
AMD Athlon 64 X2 5600+ 90nm 89W	SN78S10K
AMD Athlon 64 X2 5800+ 65nm 65W	SN78S10K
AMD Athlon 64 X2 6000+ 90nm 89W	SN78S10K
AMD Athlon 64 X2 6000+ 90nm 125W	SN78S10K
AMD Athlon 64 X2 6400+ 90nm 125W	SN78S10K
AMD Athlon 64 X2 BE2300 45W	SN78S10K
AMD Athlon 64 X2 BE2350 45W	SN78S10K
AMD Athlon 64 X2 BE2400 45W	SN78S10K
AMD Athlon 64 3000+ 90nm 62W	SN78S10K
AMD Athlon 64 3200+ 90nm 62W	SN78S10K
AMD Athlon 64 3500+ 65nm 45W	SN78S10K
AMD Athlon 64 3500+ 90nm 35W	SN78S10K
AMD Athlon 64 3500+ 90nm 62W	SN78S10K
AMD Athlon 64 3800+ 65nm 45W	SN78S10K
AMD Athlon 64 3800+ 90nm 62W	SN78S10K
AMD Athlon 64 FX62 90nm 125W	SN78S10K
AMD Athlon 64 LE-1600 65nm 45W	SN78S10K
AMD Athlon 64 LE-1620 65nm 45W	SN78S10K
AMD Opteron 1210	SN78S10K
AMD Opteron 1220	SN78S10K
AMD Sempron 2100 65nm 65W	SN78S10K
AMD Sempron 2200 65nm 65W	SN78S10K
AMD Sempron 2300 65nm 65W	SN78S10K
AMD Sempron 2800+ 90nm 62W	SN78S10K
AMD Sempron 3000+ 90nm 35W	SN78S10K
AMD Sempron 3000+ 90nm 62W	SN78S10K
AMD Sempron 3200+ 90nm 35W	SN78S10K
AMD Sempron 3200+ 90nm 62W	SN78S10K
AMD Sempron 3400+ 90nm 35W	SN78S10K
AMD Sempron 3400+ 90nm 62W	SN78S10K
AMD Sempron 3500+ 90nm 62W	SN78S10K
AMD Sempron 3600+ 90nm 62W	SN78S10K
AMD Sempron 3800+ 90nm 62W	SN78S10K
AMD Sempron LE-1100	SN78S10K
AMD Sempron LE-1150	SN78S10K
AMD Sempron LE-1200 65nm 45W	SN78S10K
AMD Sempron LE-1250 65nm 45W	SN78S10K
AMD Sempron LE-1300 65nm 45W	SN78S10K

© 2006 by Shuttle Computer Handels GmbH (Germany). All information subject to change without notice. Pictures for illustration purposes only.