

Economic entry-level Mini-Barebone

The XPC Barebone SG41J4 is a newest model of the SG41 series. The new J4 front panel comes with a removable acrylic plate which allows to create individual front designs. Uncompromising reliability and maximum compatibility are guaranteed by the G41 Express Chipset. SG41J4 supports up to 8 GB of dual channel DDR3 memory and modern Intel Celeron and Core 2 processors with up to four cores. The integrated graphics supports dual monitoring via DVI and VGA outputs. In addition to USB and PS/2 ports, the SG41J4 also offers one PCI-Express X16 and one PCI expansion slot.

XPC Barebone SG41J4 Black



Feature Highlights

J4 chassis	<ul style="list-style-type: none"> Black case, 32.5 x 21.5 x 19 cm LWH Standard storage bays for 1x optical drive and 2x hard disks Front panel with acrylic plate allows to create individual front design
Chipset and Graphics	<ul style="list-style-type: none"> Intel G41 + ICH7 Integrated Intel GMA X4500 graphics Shared Memory: max. 1759MB **) Video outputs: DVI-D and VGA
CPU	<ul style="list-style-type: none"> Socket 775, max. 95W TDP Supports Intel Core 2 Quad/Duo, Pentium & Celeron Dual-Core/4xx Supports 800, 1066 & 1333 MHz FSB CPU heatsink not included: Intel-boxed heat sink or ICE Genie3 Heatpipe PM65
Slots	<ul style="list-style-type: none"> 1x PCI-Express x16 for graphics cards 1x PCI (32 Bit)
Memory	<ul style="list-style-type: none"> Supports 2x DDR3-800/1066 Supports up to 2x 4GB
Drive connectors	<ul style="list-style-type: none"> 3x Serial-ATA 3 Gb/s 1x IDE ATA 100
Other connectors	<ul style="list-style-type: none"> 5.1-channel HD audio USB 2.0 (2x front, 4x rear, 2x onboard) Gigabit LAN Optional: COM+LPT ports (J-RS232)
Power supply	<ul style="list-style-type: none"> 250 Watt mini power supply
Application	<ul style="list-style-type: none"> Basic

Images for illustration purpose only.



Shuttle XPC Barebone SG41J4 – Special Product Features



The new J4 chassis: a clean and modern look...

Shuttle has always placed great emphasis on the interior and exterior aesthetics of the XPC, with the belief that a good blend of style and form factor allows the XPC to be attractive, versatile, and work well in almost any environment - whether the living room, bedroom, or office. With the new J4 style, Shuttle retains its trademark appearance and adds a clean, modern look to the front of the XPC.

... and customisable

Users can easily customize this XPC. Just change the mylar behind the acrylic front plate and enjoy your individual design or company's logo.



Small, but easy to install

Shuttle's XPCs offer the power of a desktop PC in a form factor one-third the size while using standard desktop components. Shuttle kept the concept of "future proofing" in mind when it designed the new J Series. The meticulously designed layout features an interior cable management system with pre-installed cables that are routed and tied down at factory to reduce clutter, increase airflow, and ease component installation. Shuttle has developed the ease of installation to an Art of Perfection.



What does Barebone mean?

The Shuttle XPC Barebone SG41J4 consists of a stylish case with pre-installed mainboard, power supply unit (PSU) and cables. Despite its small form factor it offers outstanding connectivity, functionality and performance. For a complete PC system you still need a few components. The XPC is completely customizable, users can pick the processor, memory, storage and expansion options that fit their needs. Sometimes a discrete graphics card is needed.



Dual View Technology with DVI and VGA

Dual View technology offers multiple display support on up to two separate monitors. This improves the capabilities and productivity of the user by allowing them to spread multiple windows over two monitors and view them simultaneously.



Supports Dual-Slot Graphics Cards

With a renewed mainboard layout, the SG41J4 is capable of running dual-slot (double-width) PCI Express graphics cards which do not require additional power connectors. Please refer to the support list for detailed support information. Note, that the integrated graphics will be disabled, while using a discrete graphics card.



Supports Socket-775 CPU and up to 8 GB DDR3

You can choose from a wide range of Socket 775 Intel processors starting from Celeron up to Quad Core with a maximum TDP wattage of 95W. Also the system memory can be installed according to your needs up to a total size of 8GB DDR3-1066.



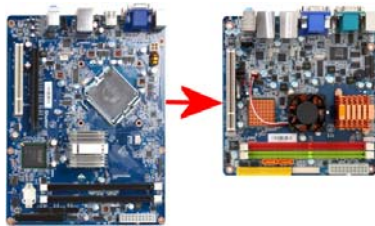
Processor Cooling (not included)

You can either use the heatsink, which comes together with the Intel-boxed processor or the optional available Shuttle ICE Genie3 Heatpipe Cooling System (PM65).



Supports one optical drive and two hard disks

Despite the small housing, users can install one optical drive and up to two hard disks into the SG41J4. But what about heat? Many of the clever design elements of the XPC get little attention. For example, the drive rack built into the SG41J4 leaves space between the hard disks to improve air flow. Intelligently-engineered airflow mechanics channels cool air to where it's needed most - protecting components and providing optimal performance.



Mini-ITX Mainboard Support

Shuttle expands the capabilities of its chassis, adding support for Mini-ITX mainboards (17 x 17cm or 6.7 x 6.7 inches). Now, for the first time, the Shuttle chassis can go beyond the Shuttle mainboard, so you can easily upgrade or downgrade the mainboard to your desire, without any modifications to the chassis.



Gigabit LAN Network

Today's media-rich communications across the Internet and within enterprises are creating new demands towards clients in Local Area Networks. For that reason Shuttle uses the Gigabit LAN performance even in the business and entry-level segment of their XPC line.



Solid Capacitors

The new generation of solid capacitors is used in the temperature sensitive part of the CPU voltage regulator. The lifespan of solid capacitors is in fact up to six times longer than the more common electrolytic capacitors.



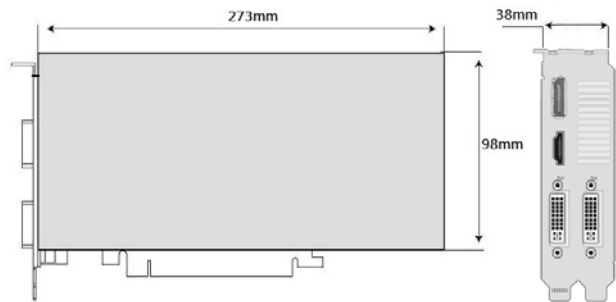
Optional: Serial and parallel ports (Accessory J-RS232)

The optional slot bracket adapter J-RS232 (order no. PCZ-A0041) provides one serial and one parallel port to the back panel. The cable of this adapter is connected to the onboard LPC header and the PCI expansion slot is occupied by the adapter. The adapter can not be used, if a PCI card or a dual-slot graphics card needs to be installed. Many PCs do not have these legacy ports since they have been superseded for most consumer applications, but they are commonly still used in applications such as industrial automation systems, scientific analysis, POS systems and some industrial products.

Shuttle XPC SG41J4 for exceptional graphics performance

Supports dual-slot graphics cards

The Shuttle XPC Barebone SG41J4 supports large dual-slot graphics cards which occupy two slots. Please note, that in this case the second slot for another expansion cards cannot be used.



Maximum dimensions for graphics cards: 273 x 98 x 38mm

Despite the small cube format, XPCs still supports very large graphics cards. Please note, that graphics cards with the same model number may differ in size.

Is the 250W power supply sufficient?

Manufacturers of graphics cards state for their devices what minimum power output a PC's power supply must be able to deliver to ensure stable operation, for example 250W for ATI's Radeon HD5770. Shuttle's SG41J4 however, equipped with a 300W power supply, still meets the requirements of the graphics cards listed in the Shuttle compatibility list, because the barebone's power supply is especially designed for such a small system which won't allow for installing as many expansion cards and hard drives as a big tower PC.





Compatibility list

Please find compatible components like processors and graphics cards on the support list at global.shuttle.com. Please note that only a limited choice of components available on the market can be tested. Naturally, the list is kept up to date and extended constantly when new components become available.



Power supply upgrade

The Shuttle XPC SG41J4 already supports several powerful dual-slot graphics cards out of the box. However, it does not provide additional power connectors for graphics cards (6-pin or 8-pin). A power supply upgrade is required for certain graphics cards (pls. refer to the compatibility list at global.shuttle.com).

Shuttle XPC Silent-X Power Supply	PC41J 250W Standard	PC61J 300W 80 PLUS Bronze	PC63J 500W 80 PLUS Bronze
Additional power supply connectors for graphics cards	None	6-pol. (75W) 	6 pin (75W) and 6+2-pin (150W) 

Shuttle XPC Barebone SG41J4 Black Specification

<i>Chassis</i>	<p>J4-type chassis made of steel and acrylic front plate, color: black Customize this XPC by inserting your photo behind the acrylic plate Storage bays: 1x 13.5 cm (5.25") external, 2x 8.9cm (3.5") internal Dimensions: 32.5 x 21.5 x 19 cm (LWH) = 13.3 liters Weight: 7.0 kg net, 7.5 kg gross 9.2cm rpm-controlled system fan with 4 pin connector Kensington Security Slot at the back panel (also called a K-Slot or Kensington lock) as a part of an anti-theft system</p>
<i>Mainboard</i>	<p>Shuttle FG41 V4.0, Shuttle form factor Proprietary mainboard design for Shuttle XPC Barebone SG41J4 Chipset: Intel G41 Express + ICH7 (TDP: 24W + 3.3W)</p>
<i>BIOS</i>	<p>AMI legacy core SPI interface, 8MB Flash ROM Supports PnP, ACPI 3.0 Supports external USB flash memory card boot up</p>
<i>Power Supply</i>	<p>250 Watt mini power supply unit Input voltage range: 100~240V Connectors: 20-pin ATX, 4-pin ATX12V Active PFC (Power Factor Correction) 50mm cooling fan</p>
<i>Processor Support</i>	<p>Socket 775 Supports Intel Core 2 Quad, Core 2 Duo, Pentium Dual Core, Celeron Dual-Core, Celeron 4xx Supports 800, 1066 or 1333 MHz front side bus (FSB) Maximum power consumption: TDP = 95W max. Processors with 533MHz FSB are not supported. Please refer to the support list for detailed processor support information.</p>
<i>Processor Cooling</i>	<p>Processor cooling is not included Please purchase an Intel boxed processor, which includes an processor cooler. The maximum cooler dimensions are 7.5 x 7.5 x 8 cm The mainboard supports temperature-controlled RPM fan speed by the BIOS. Optional available: Shuttle ICE Genie3 heat-pipe cooling (PM65) system with 92mm fan</p>
<i>Memory Support</i>	<p>2 x 240 pin DIMM memory slots Supports Dual Channel Supports DDR3-800/1066 (PC3-6400/8500) unbuffered SDRAM memory Up to a total size of 8 GB, max. 4 GB per DIMM</p>

<p><i>Expansion Slots</i></p>	<p>1 x PCI-Express x16 v1.0 (for graphics cards only) 1 x PCI (32 Bit) Supports Dual-slot (double-width) PCI Express x16 graphics cards, however, you cannot use the PCI slot in this case. ***) If a discrete graphics card is used, the onboard graphics will be deactivated.</p>
<p><i>Integrated Graphics</i></p>	<p>Intel Graphics Media Accelerator X4500 (GMA X4500) Supports Microsoft DirectX 10, Shader Model 4.0 und OpenGL 2.0 Supports Intel Clear Video Technology with ProcAmp color control Maximum DVI resolution: 2048x1536 Max. shared video memory size (UMA): 1759MB**) Dual View: Analog VGA and digital DVI outputs Two video outputs can be used at the same time Supports dual independent display</p>
<p><i>5.1-channel Audio</i></p>	<p>Audio Codec: IDT 92HD89C, 5.1 channel Three analog audio connectors (3.5mm) at the Back-Panel: 1) Front Line out (head phone) 2) Rear Surround line-out (shared with microphone input) 3) Center line-out (shared with Line in) Front panel: microphone input and head phone output</p>
<p><i>Gigabit-LAN Controller</i></p>	<p>Marvell 88E8057 Ethernet network controller (Gigabit) Supports 100 / 1.000 MBit/s operation (100Base-TX/1000Base-T) Supports Wake-on-LAN (WOL)</p>
<p><i>Drive connectors</i></p>	<p>3x Serial-ATA II, 3 Gbit/s (300 MB/s) bandwidth 1 x IDE ATA 100 drives Pre-installed cables: 1x SATA, 1x IDE (or 2x SATA subject to availability)</p>
<p><i>Front panel connectors</i></p>	<p>Microphone (3,5 mm) Headphone /Line-out (3,5 mm) 2x USB 2.0 (Hi-Speed) Power button Power on LED (blue) Hard disk read/write LED (orange)</p>
<p><i>Back panel connectors</i></p>	<p>DVI-D output (24 pin, digital) VGA output (D-Sub, analog) 4x USB 2.0 (Hi-Speed) GigaBit LAN (RJ45) PS/2 keyboard (6-pol. Mini-DIN) PS/2 mouse (6-pol. Mini-DIN) Audio Line in, Line out, Microphone (shared with 6-ch line out) Clear CMOS button Optional: Serial and parallel port ***)</p>

<p><i>Other connectors</i></p>	<p>2x fan connectors for system and CPU fan (two 4 pin header) 2x USB 2.0 (2x5 pin header) LPC port (***) Audio Aux-in</p>
<p><i>Accessories</i></p>	<p>XPC Multilanguage Quick User Guide XPC Driver CDROM (Windows XP, Vista 32 / 64 bit and Win7 32/ 64 bit) Power cord Pre-installed cables: 1x IDE, 1x SATA (or 2x SATA subject to availability) 4 pin Molex to SATA power cable Screws</p>
<p><i>Conformity Certification</i></p>	<p>EMI: FCC, CE, BSMI Safety: CB, BSMI Others: RoHS, Eup Lot6</p>

***) Overclocking Warning**

Please note there is a certain risk involved with overclocking, including adjusting the setting in the BIOS or using third-party overclocking tools. Overclocking may affect your system stability or even cause damage of the components and devices of your system. It is done at your own risk and expense. Shuttle cannot be held responsible for possible damage caused by overclocking.

*****) Shared Memory Size**

The shared memory size is dynamically controlled by VGA driver, and the Max. shared memory size will be available only when 4GB or more memory is installed under 64-bit OS.

******) Optional slot bracket adapter for serial and parallel ports J-RS232 (Order No. PCZ-A0041)**

The optional accessory J-RS232 is a slot bracket adapter which can be used to provide one serial and one parallel port at the back panel. The cable of this adapter will be connected to the onboard LPC port and one expansion slot (PCI or PCI Express) will be occupied by the adapter.

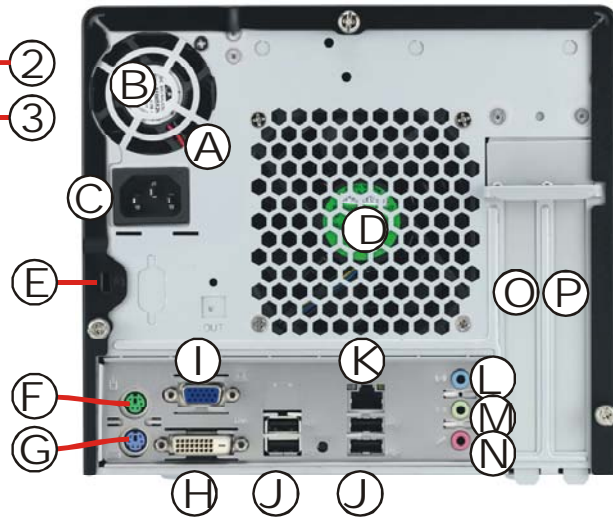
Shuttle XPC Barebone SG41J4 Black – Connectors

Front View



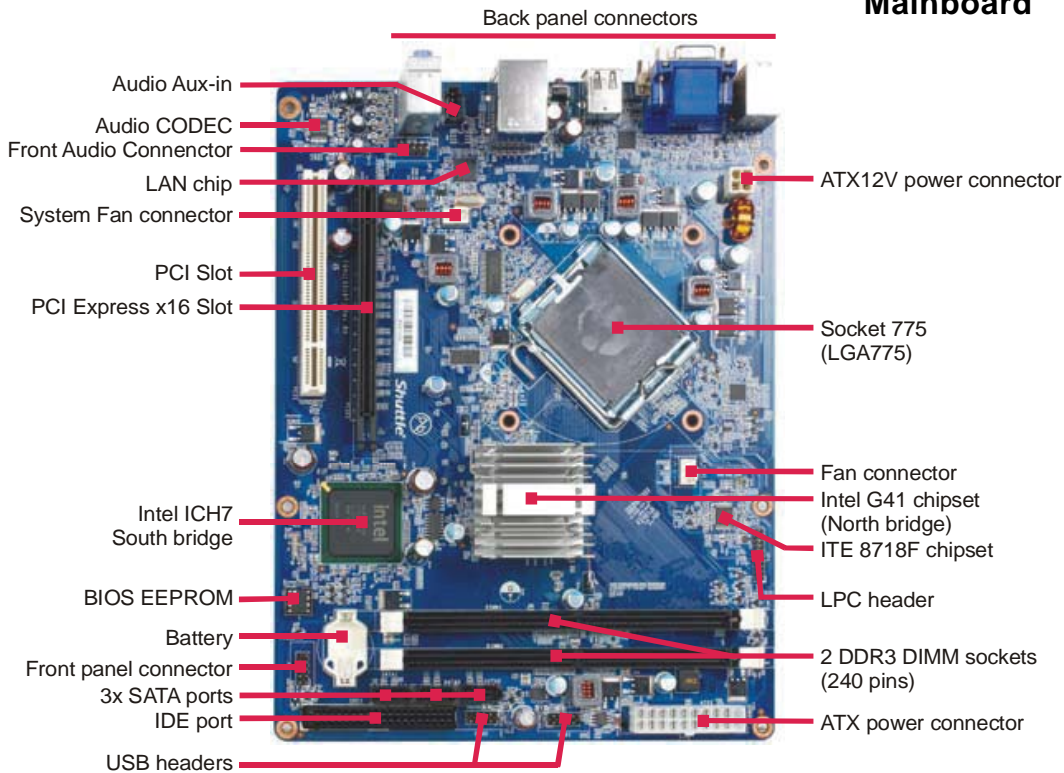
- (1) 5.25" bay
- (2) Hard disk LED indicator
- (3) Power button with Power LED
- (4) Acrylic front plate
- (5) 2x USB ports
- (6) Microphone input
- (7) Headphone output

Rear View



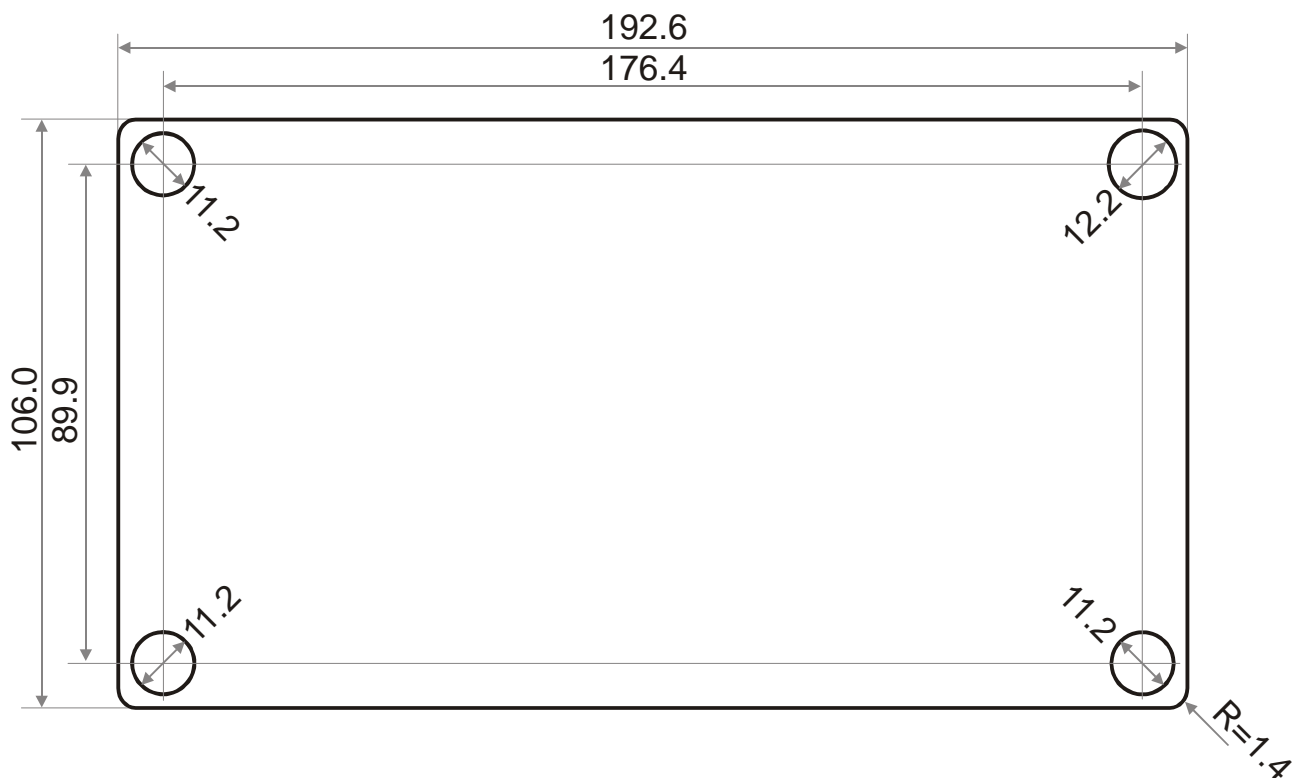
- (A) Power supply consist of
- (B) PSU cooling fan and
- (C) AC power connector
- (D) Chassis cooling fan
- (E) Hole for Kensington-Lock
- (F) PS/2 mouse port
- (G) PS/2 keyboard port
- (H) DVI-D video port (digital)
- (I) VGA video port (analog)
- (J) 4x USB ports
- (K) RJ45 LAN port
- (L) Audio Line-in port
- (M) Audio Line-out port
- (N) Microphone-in port
- (O) PCI-Express X16 slot
- (P) PCI slot

Mainboard



Shuttle SG41J4 – Mylar Dimensions

The J4 front panel comes with a removable acrylic plate which allows to create individual front designs. Just change the mylar behind the acrylic front plate and enjoy your individual design or company's logo.



All dimensions in millimeter (mm)



Example