

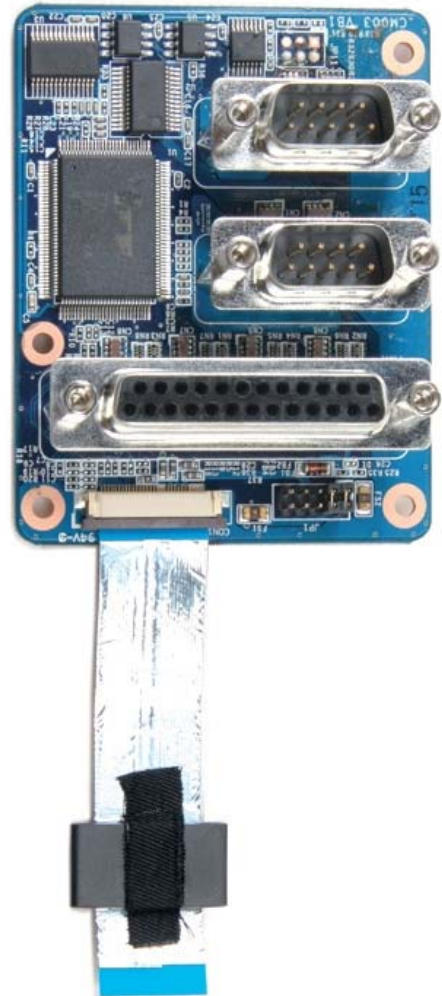
**Accessory for the Shuttle X70-series:
COM/LPT ports**

**Shuttle Accessory
PCL70**

The Shuttle accessory PCL70 is compatible with the Shuttle All-in-One-PCs X70S/M and X50V4. It will upgrade the PC by additional legacy ports and add two serial (COM) and one parallel (LPT) port to the back panel – in addition to one COM port, which is already built in.

Feature Highlight

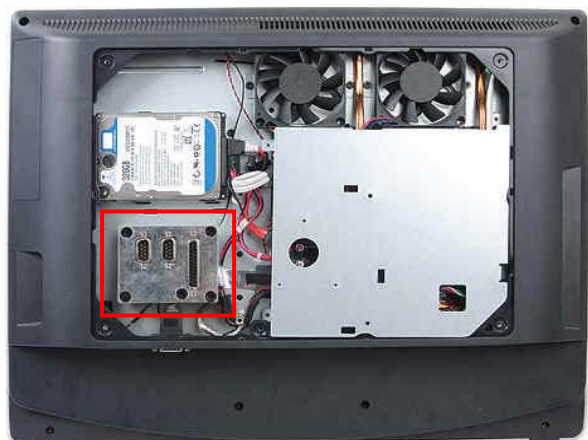
<i>Product name</i>	<ul style="list-style-type: none"> • Shuttle Accessory PCL70 • Order no. POA-PCL70
<i>External ports</i>	<ul style="list-style-type: none"> • 2x Serial port (Sub-D, 9 pins, male) • 1x Parallel port (Sub-D, 25 pins, female)
<i>External power</i>	<ul style="list-style-type: none"> • Both serial ports can provide a voltage supply of either 5V or 12V for external devices
<i>Scope of delivery</i>	<ul style="list-style-type: none"> • Printed Circuit Board (PCB) • Metal shield • Screws • Ribbon cable • Multi-language quick installation guide (EN, DE, FR)
<i>Compatibility</i>	<ul style="list-style-type: none"> • Compatible with the Shuttle All-in-One-PCs: X70S, X70M and X50V4



Images for illustration purposes only.



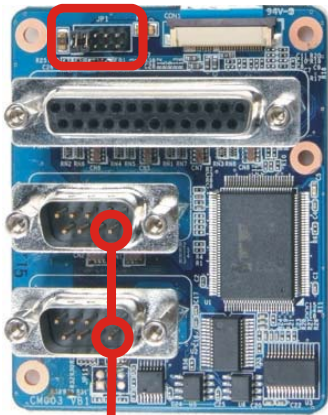
Shuttle All-in-One PC X70



Installed PCL70 extension

Jumper setting

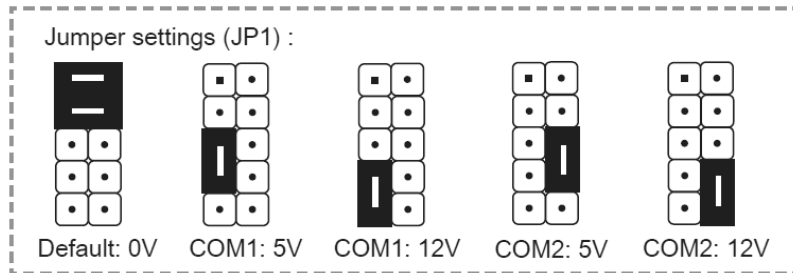
Jumper JP1



Pin 9

Power over serial port

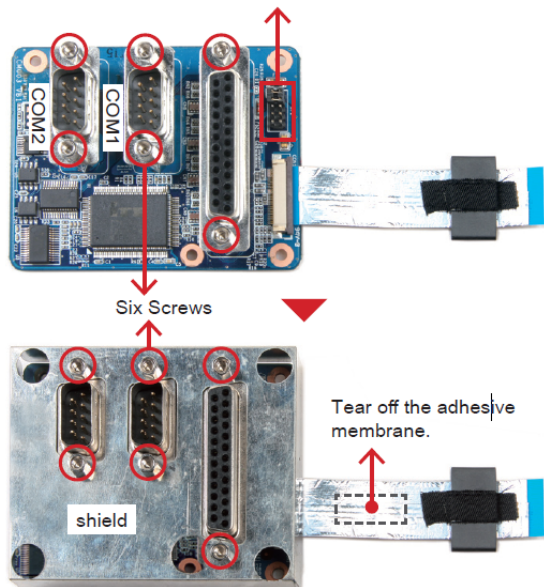
Both serial ports can provide a voltage supply of either 0V, 5V or 12V over Pin 9 (Ring pin) of the D-Sub connector depending of the jumper setting. This voltage can be used to supply external devices. With jumper JP1 you can configure the voltage.



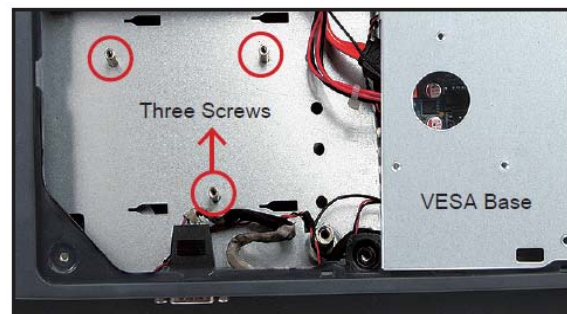
Quick Installation Guide:

Please install with reference to the following steps. **Due to safety reasons, please turn off your computer completely first and unplug it from the power supply.**

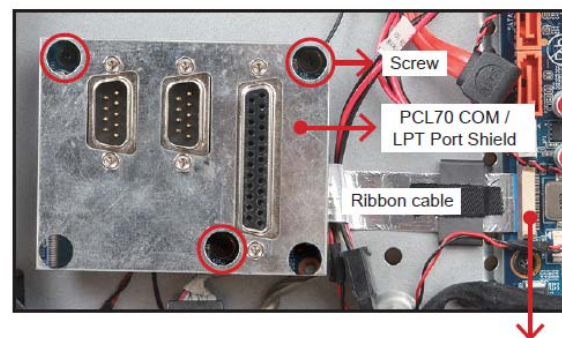
1. Remove the back cover and stand/cover from the back of X70.
2. Unscrew six screws of the "PCL70 COM/LPT Board", then fasten the "PCL70 COM/LPT Board" to the shield with six screws and tear off the adhesive membrane.



3. Unscrew four screws of the VESA Base and remove it. Fasten three screws to the chassis as shown.



4. Fix the adhesive ribbon cable to the chassis rail and tighten the "COM/LPT Port Shield" with three screws.
5. Connect the ribbon cable to "CN02", then slide two latches into the lock position.



6. Pull up two latches of "CN02" first, then plug the 50pins ribbon cable to "CN02".
7. Replace the VESA Base and refasten four screws.
8. Replace the back cover and stand/cover on the back of X70, complete.