

**Accessory for the X50V3-series:  
COM/LPT ports**

**Shuttle Accessory  
PCL69**

The Shuttle accessory PCL69 is compatible with the Shuttle All-in-One-PC X50V3 series. It will upgrade the PC by additional legacy ports and add two serial (COM) and one parallel (LPT) port to the back panel.



Feature Highlight	
Product name	<ul style="list-style-type: none"> <li>Shuttle Accessory PCL69</li> <li>Order no. POA-PCL69</li> <li>UPC code: 811686005551</li> </ul>
External ports	<ul style="list-style-type: none"> <li>2x Serial port (Sub-D, 9 pins, male)</li> <li>1x Parallel port (Sub-D, 25 pins, female)</li> </ul>
External power	<ul style="list-style-type: none"> <li>Both serial ports can provide a voltage supply of either 5V or 12V for external devices</li> </ul>
Scope of delivery	<ul style="list-style-type: none"> <li>Printed Circuit Board (PCB)</li> <li>Metal shield</li> <li>3 screws</li> <li>Ribbon cable</li> <li>Type label sticker</li> <li>Multi-language quick installation guide (EN, DE, FR)</li> </ul>
Compatibility	<ul style="list-style-type: none"> <li>Compatible with the Shuttle All-in-One-PC X50V3 series</li> </ul>

**Product PCL69**

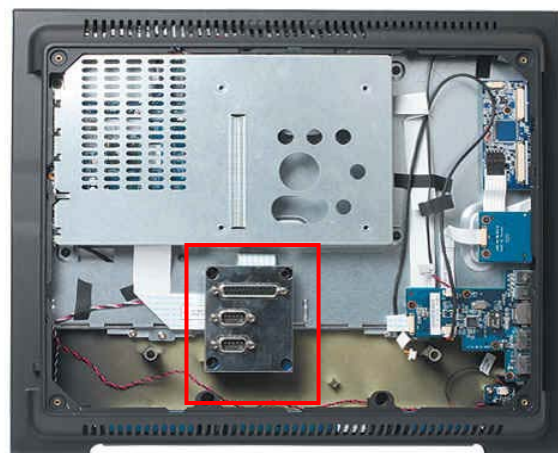
Order No: POA-PCL69



Images for illustration purposes only.

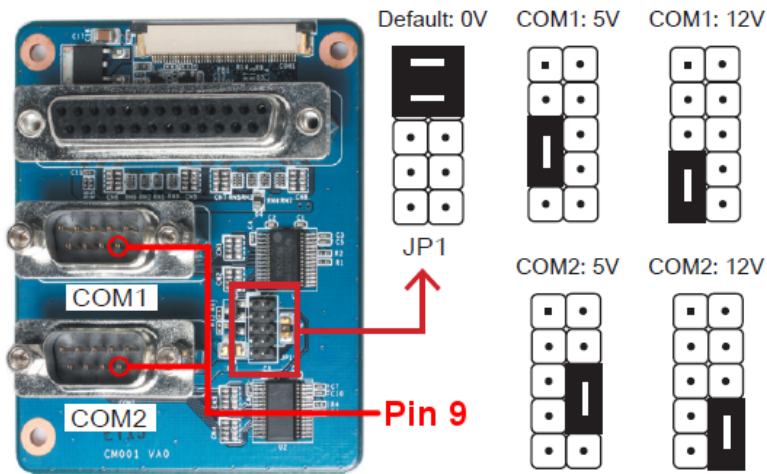


Shuttle All-in-One PC X50V3



Installed PCL69 extension

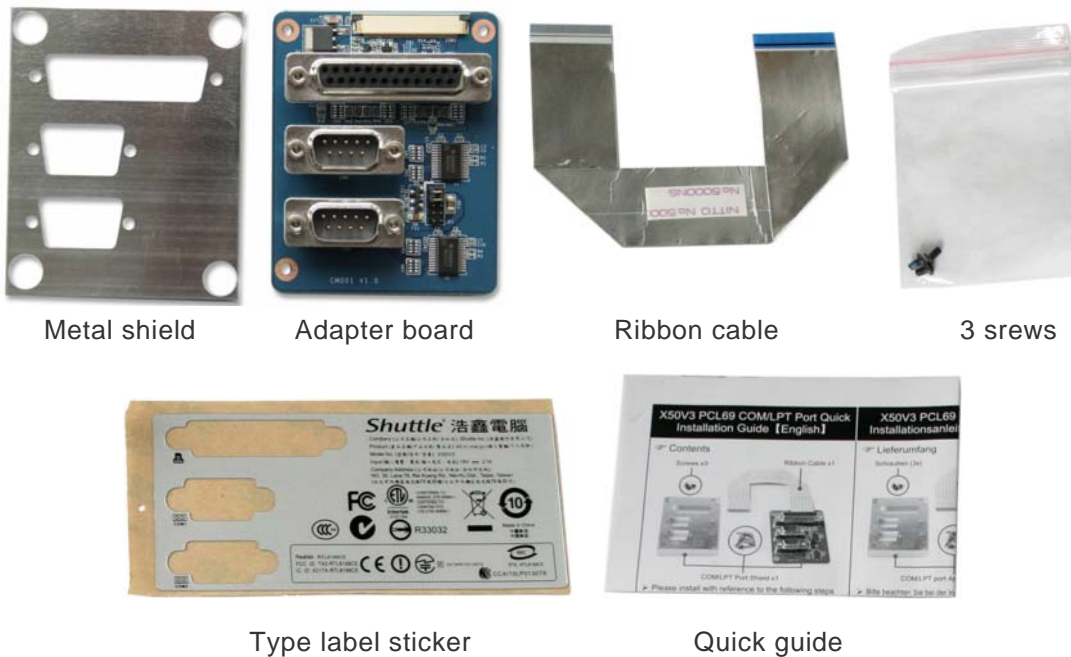
## Jumper setting



## Power over serial port

Both serial ports can provide a voltage supply of either 0V, 5V or 12V over Pin 9 (Ring pin) of the D-Sub connector depending of the jumper setting. This voltage can be used to supply external devices. With jumper JP1 you can configure the voltage.

## Scope of delivery



©2012 Shuttle Computer Handels GmbH (Germany). All information subject to change without notice. Pictures for illustration purpose only.