

COM / LPT / RJ11 port expansion for Shuttle All-in-One-PC's

The Shuttle accessory POS01 is compatible with the Shuttle XPC All-in-One X50 Series (V4~V8) and P90U/P92U series. It will add four serial (COM), one parallel (LPT) port and one RJ11 port for a cash drawer to the back panel of the PC.

Feature Highlight

Product	<ul style="list-style-type: none"> Name: Shuttle Accessory POS01 UPC code: 887993800004
External ports	<ul style="list-style-type: none"> 2x Serial port RS232 (Sub-D, 9-pin, male) "COM 1" is switchable to RS422/RS485 2x Serial port (RJ45 connector) 1x Parallel port (Sub-D, 25-pin, female) 1x Digital I/O for cash drawer (DIO, RJ11 connector, 12V or 24V)
External power	<ul style="list-style-type: none"> Both serial ports with D-Sub connector can provide an auxiliary voltage supply of either 5V or 12V
Scope of delivery	<ul style="list-style-type: none"> Printed Circuit Board (PCB) 4 screws Power connector cable (4 pin) Ribbon cable Type label sticker (Rating label) Multi-language quick installation guide (EN, DE, FR)
Compatibility	<ul style="list-style-type: none"> Compatible with the following Shuttle XPC All-in-One products: <ul style="list-style-type: none"> - with 15.6" display: X50V4, X50V5(U3), X50V6(U3), X50V7(U3), X50V8(U3) - with 19.5" display: P90U(x) and P92U(x)

Shuttle XPC Accessory POS01



Shuttle XPC aio P90U/P92U/X50 series. Images for illustration purposes only.



Shuttle All-in-One PC without POS01

Shuttle All-in-One PC with POS01 installed



Optional Adapter: „Shuttle POR01“

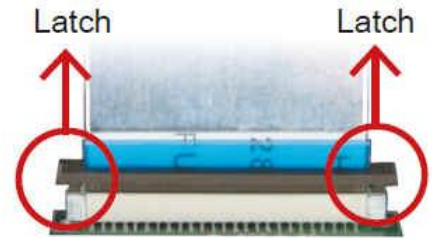
Shuttle Accessory POR01
Matching COM port adapter converts RJ45 to D-Sub ports (optional, not included in delivery)

© 2022 by Shuttle Computer Handels GmbH (Germany). All information subject to change without notice. Pictures for illustration purposes only.

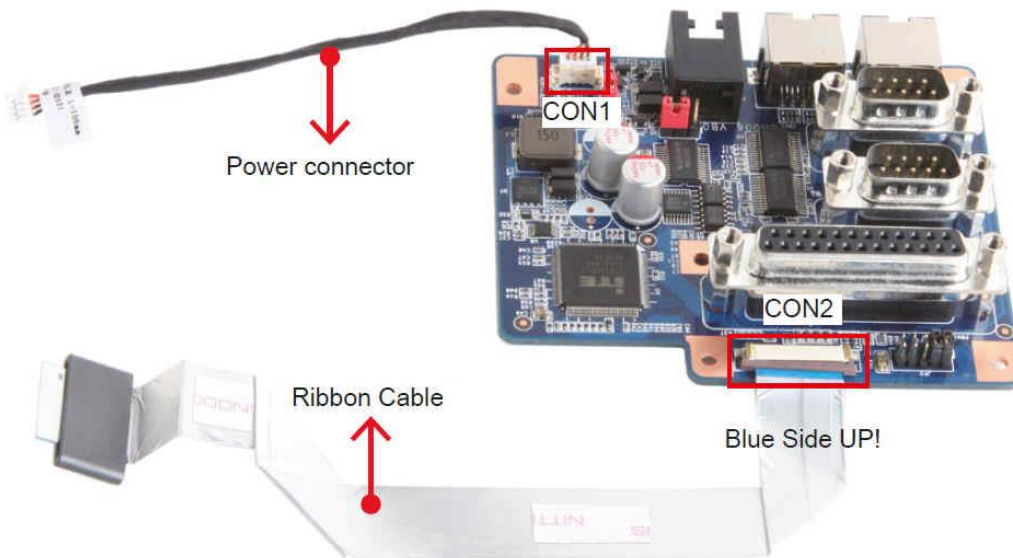
Quick Installation Guide:

Caution: Due to safety reasons, please turn off your computer completely first and unplug it from the adapter.

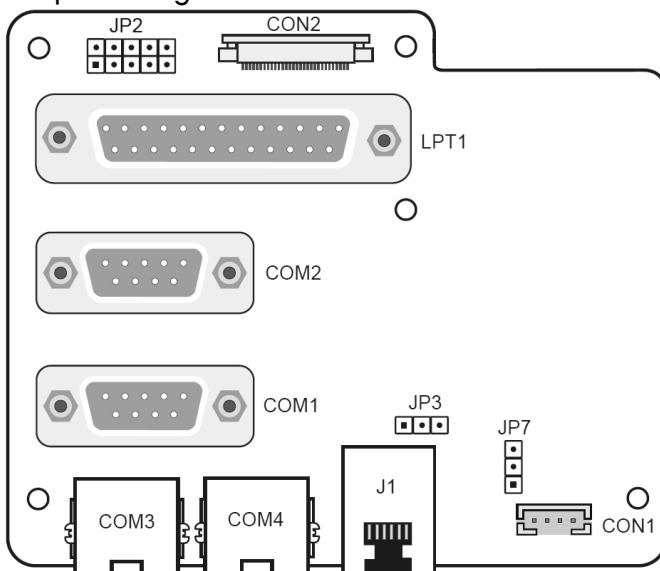
1. Remove the cover on the back of the Shuttle XPC All-in-One first, unscrew four screws of the stand mount and remove the stand.
2. Unscrew four screws of the back cover and remove it.
3. The back cover to prejudge the holes (COM3,COM4,DIO) must first break open.
4. Please connect the power connectors to CON1 (4-pin) and connect the ribbon cable to "CON2", then slide two latches into the lock position.



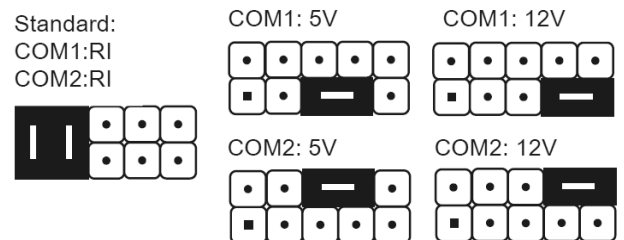
Pull up two latches of "CON2" first, then plug the ribbon cable to "CON2".



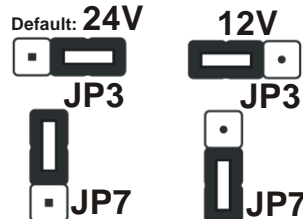
Jumper settings:



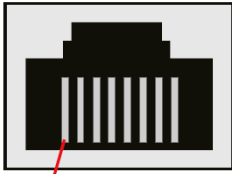
JP2: COM1,COM2 PIN9 Fuction Select



J1 PIN3: Power Select



COM3, COM4 (RJ45):

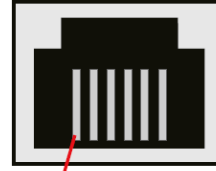


PIN1

- | | | | |
|---|-----|---|-----|
| 1 | RXD | 5 | RTS |
| 2 | TXD | 6 | DCD |
| 3 | DSR | 7 | CTS |
| 4 | DTR | 8 | RI |

Ground (GND) must be connected with the shield of the cable / connector.

J1 (RJ11:6P6C) Cash Drawer:

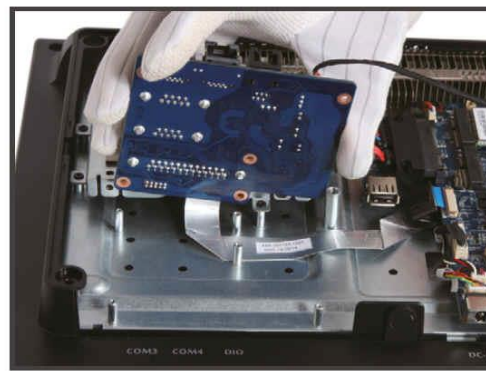
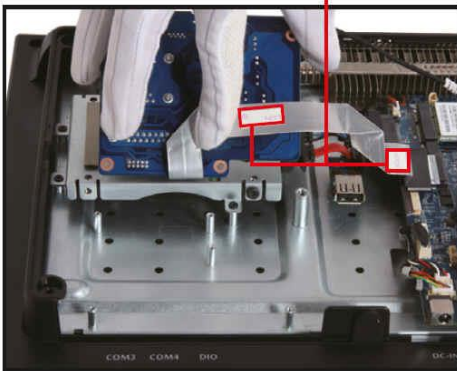


PIN1

Pin	Signal Name
1	Ground (GND)
2	Drawer kick-out drive signal 1
3	Power 12V/24V, Default 24V
4	Drawer open/ close signal (input)
5	Drawer kick-out drive signal 2
6	Ground (GND)

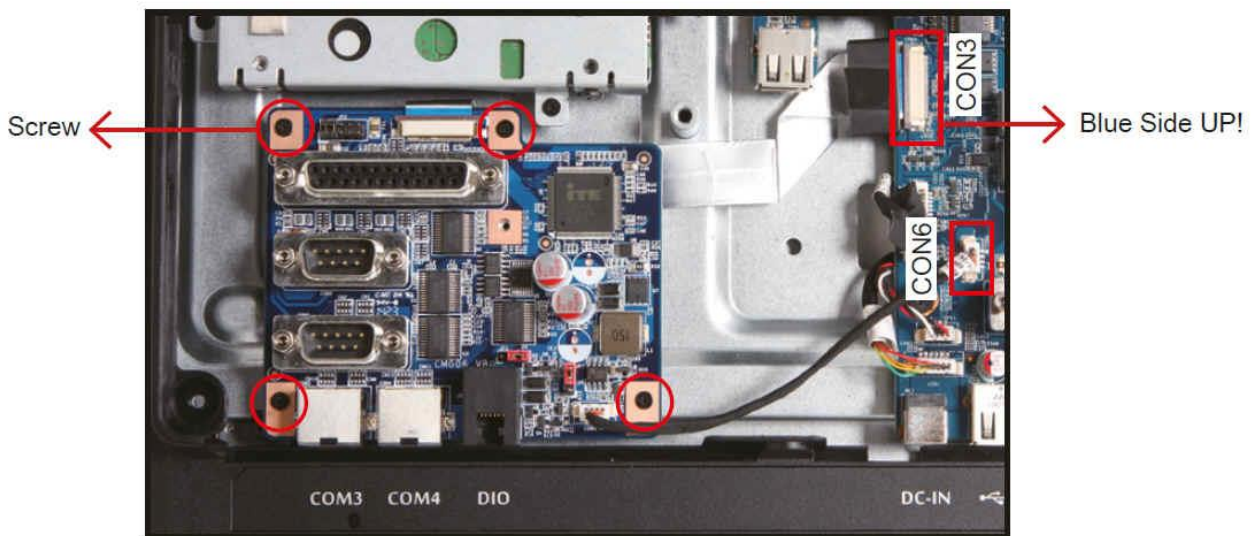
5. Tear off the adhesive membrane, fold and fix the adhesive ribbon cable to the chassis rail.

adhesive



6. Tighten the POS01 COM/LPT Port with four screws.

7. Please connect the power connectors to "CON6" and connect the ribbon cable to "CON3", then slide two latches into the lock position.



8. Remove the back cover original rating label, then paste the rating label which sits in the accessory box.
9. Replace the back cover.
10. Refasten the stand and the back cover with eight screws.
11. Replace the cover, complete.

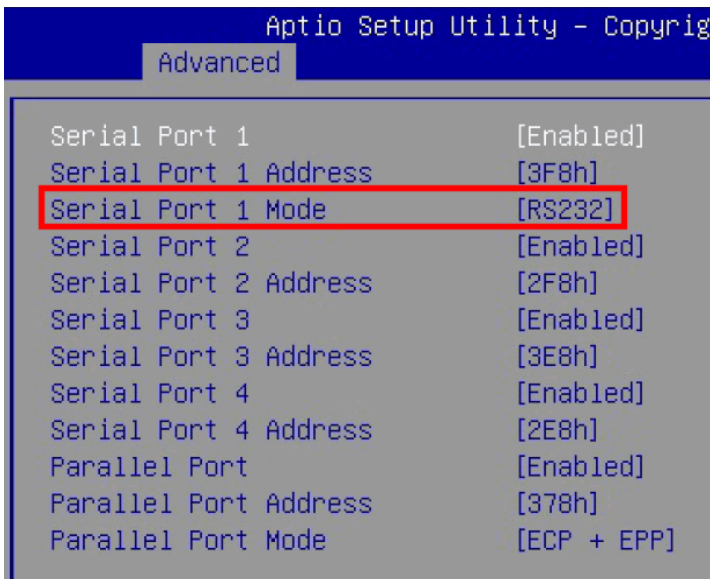


RS232 / RS422 / RS485 setting in the BIOS:



The Shuttle XPC Accessory POS01 provides four serial ports in the back panel which support the RS232 mode.

The serial port "COM 1" can also be switched to RS422/485 mode in the BIOS.



Enter the BIOS setup and go to the "Advanced" tab. Change the option "Serial Port 1 Mode" to the desired setting for the "COM 1" port: RS232, RS422 or RS485.